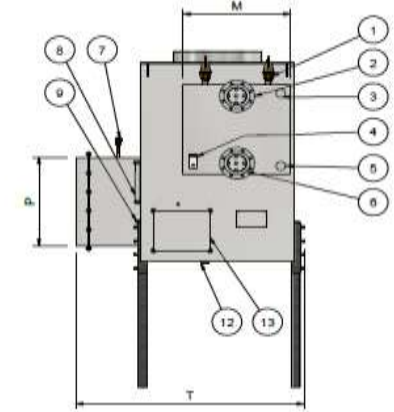
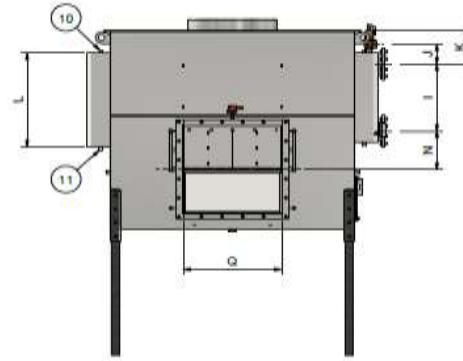
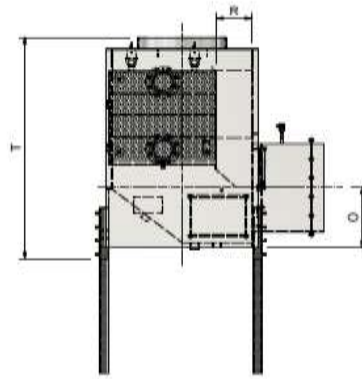


Ontwerp druk 3 bar  
max watertemp. 95°



Nr.	Omschrijving
1	Veerveiligheid 3 Bar/30PSI 1¼"-1½"
2	Flens
3	Temperatuur meter ½"
4	Thermostaat ½"
5	Temperatuur meter ½"
6	Flens
7	Drukmeter ½"
8	Rookgasklep bediening
9	Eindschakelaar
10	Ontluchter 1xlinks 1x rechts ½"
11	Aftap pandeksel 1xlinks 1x rechts ½"
12	Condensafvoer 2"
13	Inspectieluik

Type	A	B	C	D	E	F	G	H	I	N	O	P	Q	(Tr)ansport (H*B*D)	KG BRC	VO	Resistance BRC (Water side) in mbar	Water flow (Volume) m3/h	Flensmaat	Vermogen in kW	Overstort (Watts)	Aansluiting drain condensor & condenspot	Water side resistance (mbar)
BRC- 1,0	690 mm	735 mm	752 mm	304 mm	624 mm	208 mm	573 mm	360 mm	408 mm	323 mm	326 mm	500 mm	500 mm	1452x1425x 994 mm	± 497 kg	90	63	18	DN80	1163	1 stuk 1" x 1¼"	2"	17
BRC- 1,5	710 mm	756 mm	846 mm	407 mm	813 mm	316 mm	573 mm	410 mm	546 mm	185 mm	331 mm	500 mm	500 mm	1452x1466x1183 mm	± 608 kg	135	63	24	DN80	1745	1 stuk 1" x 1¼"	2"	31
BRC- 2,0	710 mm	756 mm	846 mm	436 mm	813 mm	316 mm	573 mm	510 mm	546 mm	185 mm	326 mm	500 mm	500 mm	1452x1466x1183 mm	± 659 kg	180	63	24-32	DN100	2326	1 stuk 1" x 1¼"	2"	37
BRC- 2,5	883 mm	920 mm	880 mm	440 mm	880 mm	316 mm	737 mm	510 mm	608 mm	301 mm	392 mm	600 mm	600 mm	1710x1795x1250 mm	± 1000 Kg	212	63	30-39	DN100	2907	1 stuk 1" x 1¼"	2"	38-45
BRC- 3,0	883 mm	920 mm	880 mm	440 mm	880 mm	316 mm	737 mm	510 mm	608 mm	301 mm	392 mm	600 mm	600 mm	1710x1795x1250 mm	± 1100 Kg	248	50,8	36-47	DN100	3489	1 stuk 1" x 1¼"	2"	38-65
BRC- 3,5	871 mm	922 mm	863 mm	453 mm	857 mm	380 mm	697 mm	510 mm	648 mm	328 mm	487 mm	600 mm	600 mm	1836x1792x1312 mm	± 1220 Kg	319	50,8	42-55	DN100	4070	1 stuk 1¼" x 1½"	2"	52-90
BRC- 4,0	1031 mm	1077 mm	985 mm	500 mm	1000 mm	375 mm	892 mm	610 mm	648 mm	332 mm	505 mm	700 mm	700 mm	1960x2108x1455 mm	± 1330 Kg	344	64	48-64	DN125	4652	1 stuk 1¼" x 1½"	2"	35-62
BRC- 5,0	1020 mm	1072 mm	985 mm	500 mm	1000 mm	390 mm	892 mm	610 mm	648 mm	332 mm	505 mm	700 mm	700 mm	1960x2108x1455 mm	± 1450 kg	430	64	60-78	DN125	5814	1 stuk 1¼" x 1½"	2"	35-62
BRC- 6,0	1088 mm	1035 mm	1050 mm	565 mm	1133 mm	476 mm	892 mm	610 mm	608 mm	347 mm	552 mm	700 mm	700 mm	2005x2120x1695 mm	± 1600 Kg	517	64	72-95	DN125	6978	1 stuk 1¼" x 1½"	2"	36-63
BRC- 7,0	1182 mm	1235 mm	1153 mm	623 mm	1245 mm	466 mm	1044 mm	710 mm	601 mm	347 mm	545 mm	800 mm	800 mm	2006x2420x1727 mm	± 2000 Kg	608	72	85-110	DN150	8140	1 stuk 1¼" x 1½"	2"	36-60
BRC- 8,0	1182 mm	1235 mm	1153 mm	623 mm	1225 mm	476 mm	1045 mm	710 mm	648mm	333 mm	545 mm	800 mm	800 mm	2006x2420x1854 mm	± 2100 Kg	658	83	95-125	DN150	9304	2 stuks 1¼" x 1½"	2"	45-77
BRC- 9,0	1194 mm	1235 mm	1153 mm	623 mm	1245 mm	535 mm	1045 mm	810 mm	628 mm	338 mm	545 mm	910 mm	910 mm	2006x2420x1755 mm	± 2200 Kg	760	94	108-135	DN150	10467	2 stuks 1¼" x 1½"	2"	58-90
BRC- 10,0	1186 mm	1234 mm	1116 mm	692 mm	1273 mm	540 mm	1044 mm	810 mm	928 mm	109 mm	543 mm	910 mm	910 mm	2106x2417x1628 mm	± 2300 Kg	878	103	120-150	DN150	11630	2 stuks 1¼" x 1½"	2"	71-111
BRC- 11,0	1186 mm	1234 mm	1116 mm	692 mm	1273 mm	540 mm	1044 mm	910 mm	928 mm	109 mm	543 mm	910 mm	1100 mm	2106x2417x2103 mm	± 2400 Kg	945	117	135-175	DN150	12793	2 stuks 1¼" x 1½"	2"	90-151
BRC- 12,0	1186 mm	1234 mm	1116 mm	692 mm	1273 mm	540 mm	1044 mm	910 mm	928 mm	109 mm	543 mm	910 mm	1100 mm	2106x2417x2103 mm	± 2500 Kg	1013	128	145-190	DN150	13956	2 stuks 1¼" x 1½"	2"	104-178
BRC- 16,0												1090 mm	1290 mm	2158x2963x1821 mm	± 3000 Kg	1328		195-225	DN200	19000	2 stuks 1¼" x 1½"	2"	130-222