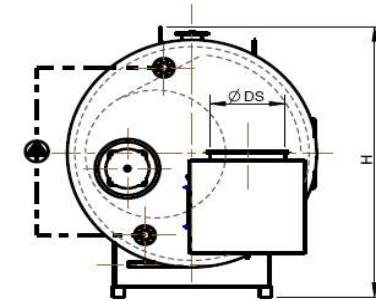
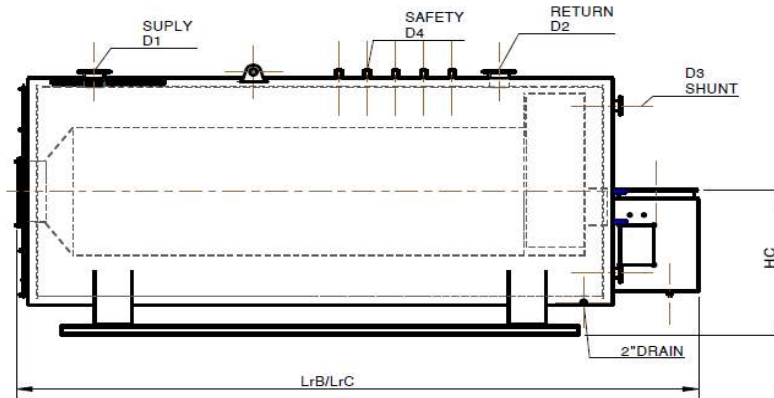
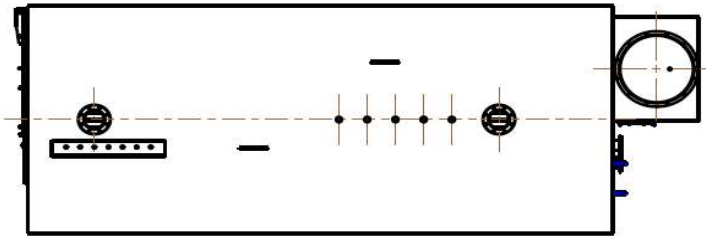
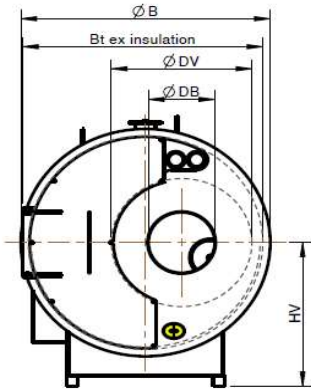


WND

2 Bar 110°C



2 BAR  
110°C

Boiler Type	Capacity in KW	GASSIDE RESISTANCE		EMPTY WEIGHT KG	WATER CONTENT M <sup>3</sup>	HS M <sup>2</sup>	DV	DB	LrB Chimney	LrC Condensor	B	Bt	H Transport	HV	HC Height Chimney	D1/D2 PN10	D3 FLANGE PN10	D4 TREADTH 2"	D4 FLANGE PN16	Ø DS
WND 0.50	582	3,00	Mbar	2329	2,00	27	640	300	3363	3363	1410	1332	1819	914	1040	DN100	DN50	1 X 2"	1 X DN50	250
WND 0.75	872	3,00	Mbar	3170	2,10	32	800	400	3310	3310	1630	1529	2054	1039	1115	DN100	DN50	1 X 2"	1 X DN50	300
WND 1.00	1163	3,50	Mbar	3412	2,50	40	800	400	3810	3810	1630	1529	2054	1039	1115	DN125	DN50	1 X 2"	1 X DN65	350
WND 1.25	1454	3,50	Mbar	3835	2,90	50	800	400	4310	4310	1630	1529	2054	1039	1115	DN125	DN50	1 X 2"	1 X DN65	350
WND 1.50	1745	4,00	Mbar	5065	4,10	60	1016	560	4860	4760	1800	1640	2280	1254	1274	DN150	DN65	2 X 2"	1 X DN65	400
WND 2.00	2326	4,50	Mbar	6900	6,90	85	1120	560	5460	5260	2100	1940	2589	1414	1437	DN150	DN54	2 X 2"	1 X DN80	500
WND 2.50	2908	5,00	Mbar	7400	7,40	98	1120	560	5960	5750	2100	1940	2589	1414	1437	DN200	DN54	2 X 2"	1 X DN80	500
WND 3.00	3489	4,00	Mbar	8187	8,10	115	1300	560	5510	5260	2340	2260	2786	1474	1484	DN200	DN100	3 X 2"	1 X DN100	500
WND 3.50	4070	4,50	Mbar	9235	8,30	130	1300	560	6010	5760	2340	2260	2786	1471	1484	DN200	DN100	3 X 2"	1 X DN100	500
WND 4.00	4652	5,00	Mbar	9517	9,00	145	1300	560	6610	6260	2340	2260	2786	1474	1484	DN200	DN100	4 X 2"	1 X DN80 1 X DN65	600
WND 5.00	5813	5,50	Mbar	11816	11,60	200	1500	704	6710	6260	2650	2560	3150	1674	1696	DN200	DN100	4 X 2"	2 X DN80	600
WND 6.00	6978	6,00	Mbar	12808	13,00	215	1500	704	7250	7650	2650	2560	3150	1674	1696	DN200	DN100	5 X 2"	1 X DN100 1 X DN80	600
WND 7.00	8141	6,00	Mbar	15022	15,50	235	1600	704	7250	7650	2810	2705	3271	1724	1714	DN250	DN250	6 X 2"	2 X DN100	700
WND 8.00	9304	6,50	Mbar	16118	18,00	260	1600	704	7750	7250	2810	2705	3271	1724	1714	DN250	DN250	7 X 2"	1 X DN125 1 X DN100	700
WND 9.00	10467	7,50	Mbar	18766	23,50	310	1700	820	7870	7270	3140	3040	3537	1798	2032	DN300	DN300	8 X 2"	1 X DN125 1 X DN100	800
WND 10.00	11630	8,50	Mbar	20500	23,50	335	1700	820	8241	7783	3140	3040	3537	1798	2032	DN301	DN300	8 X 2"	2 X DN125	800
WND 11.00	12793	8,50	Mbar	23936	23,00	380	1700	820	8341	7783	3140	3040	3537	1798	2032	DN302	DN300	9 X 2"	1 X DN150 1 X DN125	900
WND 12.00	13956	9,00	Mbar	24900	24,80	415	1900	820	8341	7783	3340	3232	3654	1810	1830	DN303	DN300	10 X 2"	1 X DN150 1 X DN125	900