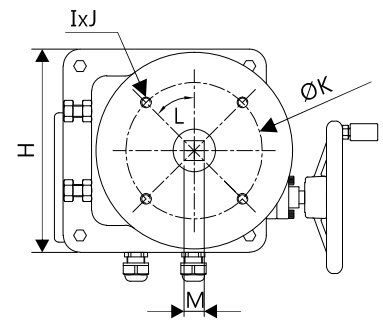
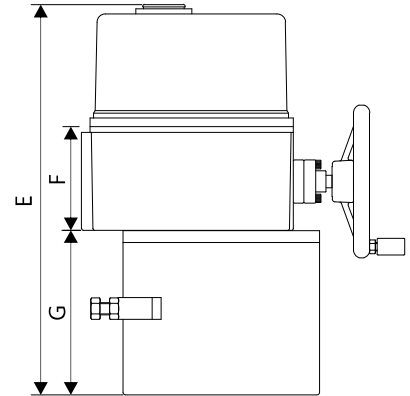
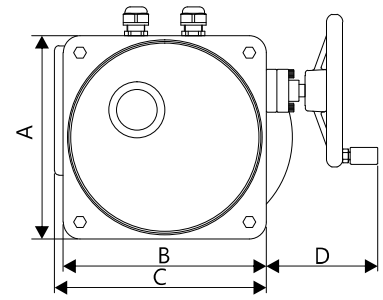


UM-12



Product Specification

UM-12 - 143 - AC110 - 100 - -

- Model**
- Speed 90 sec(60Hz)**
AC : 143sec
- Voltage**
AC220V(50/60)Hz
AC110V(50/60)Hz
- Extra Switches**
 : Without Extra Switches (standard)
A : Extra Switches
- Power**
AC : 100W
- Heater**
 : Without heater (standard)
H : Heater

mm

K	L	M(Customization)	ISO 5211
165	45°	27.1~36.1	F16

Model	A	B	C	D	E	F	G	H	I	J
UM-12	240	240	250	132	475	123	194	240	M20	4

inch

K	L	M(Customization)	ISO 5211
6.5	45°	1.07~1.42	F16

Model	A	B	C	D	E	F	G	H	I	J
UM-12	9.45	9.45	9.84	5.2	18.7	4.84	7.64	9.45	M20	4