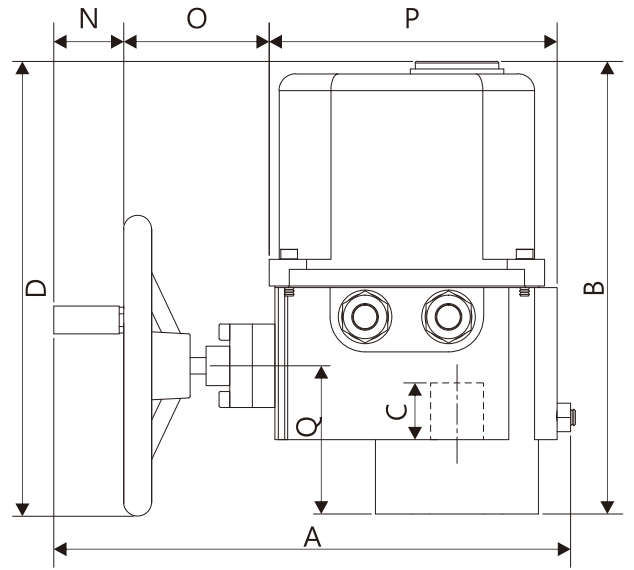
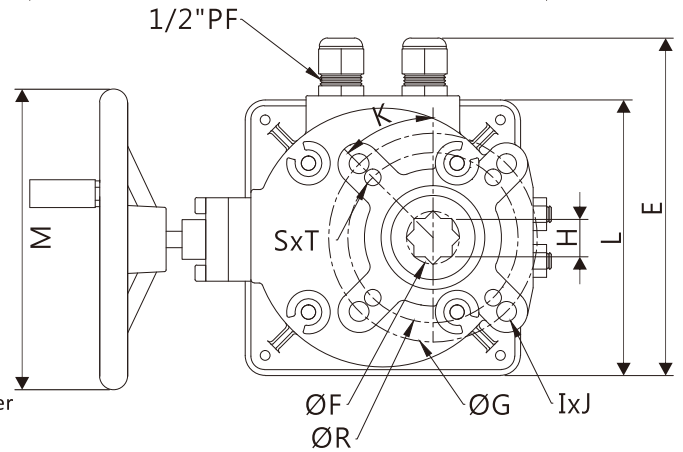
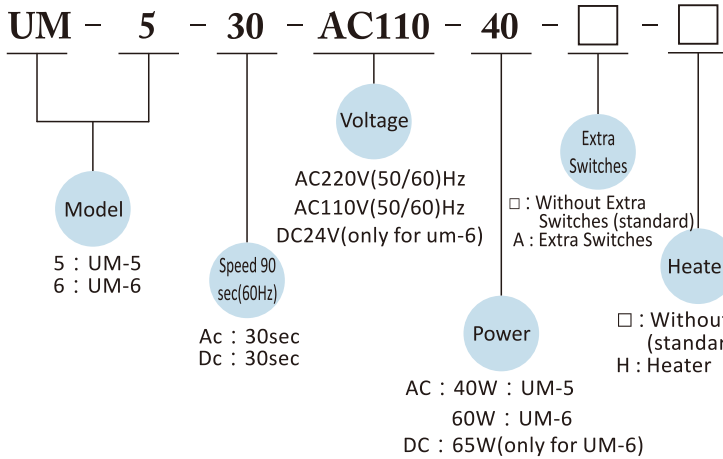


# UM-5~6



Product Specification



mm

|        | K   | L   | M  | N   | O   | P    | Q   | R        | S   | T         | ISO 5211 |
|--------|-----|-----|----|-----|-----|------|-----|----------|-----|-----------|----------|
| 45°    | 165 | 120 | 65 | 85  | 173 | 92   | 102 | M10      | 4   | F10 / F12 |          |
| Model  | A   | B   | C  | D   | E   | F    | G   | H<br>Max | I   | J         |          |
| UM-5~6 | 340 | 276 | 34 | 245 | 203 | 36.5 | 125 | 27.05    | M12 | 4         |          |

● For DC voltage, B + 31mm.

inch

|        | K    | L     | M    | N   | O    | P    | Q    | R        | S   | T         | ISO 5211 |
|--------|------|-------|------|-----|------|------|------|----------|-----|-----------|----------|
| 45°    | 6.5  | 4.7   | 2.6  | 3.4 | 6.81 | 3.62 | 4.02 | M10      | 4   | F10 / F12 |          |
| Model  | A    | B     | C    | D   | E    | F    | G    | H<br>Max | I   | J         |          |
| UM-5~6 | 13.4 | 10.87 | 1.34 | 9.7 | 7.99 | 1.44 | 4.92 | 1.06     | M12 | 4         |          |

● For DC voltage, B + 1.22inch.