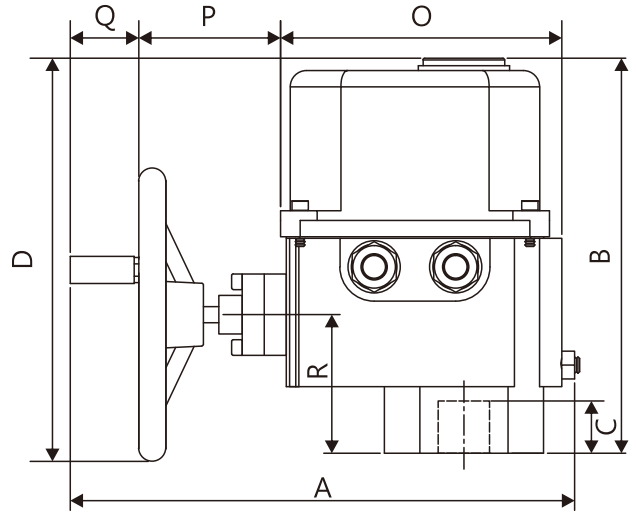


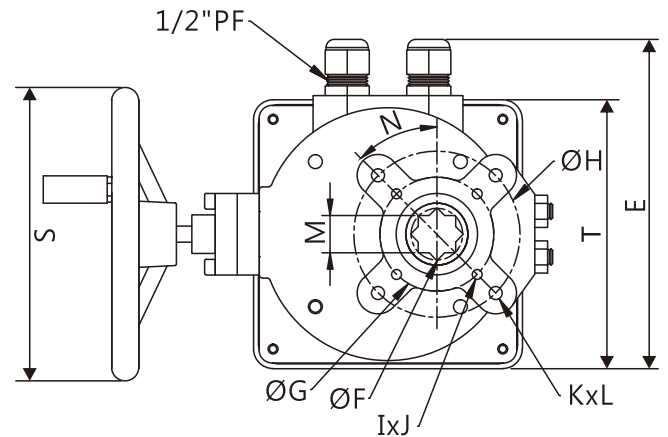
UM-4

Product Specification



UM-4 - 20 - AC110 - 25 - □ - □

- Model**
- Voltage**
AC220V(50/60)Hz
AC110V(50/60)Hz
DC24V
- Speed 90 sec(60Hz)**
AC : □ : 30sec (Standard)
20 : 20sec
DC : □ : 30sec (Standard)
20 : 20sec
- Power**
AC : 25W
DC : 30W
- Extra Switches**
□ : Without Extra Switches (standard)
A : Extra Switches
- Heater**
□ : Without heater (standard)
H : Heater



mm

L	M Max	N	O	P	Q	R	S	T	ISO 5211
4	22.05	45°	173	85	65	85	120	165	F07 / F10

Model	A	B	C	D	E	F	G	H	I	J	K
UM-4	330	244	30	225	203	30.6	70	102	M8	4	M10

• For modulating series and DC voltage, B + 26mm.

inch

L	M Max	N	O	P	Q	R	S	T	ISO 5211
4	0.87	45°	6.81	3.4	2.6	3.35	4.7	6.5	F07 / F10

Model	A	B	C	D	E	F	G	H	I	J	K
UM-4	13	9.61	1.18	8.9	7.99	1.2	2.76	4.02	M8	4	M10

• For modulating series and DC voltage, B + 1.12inch.