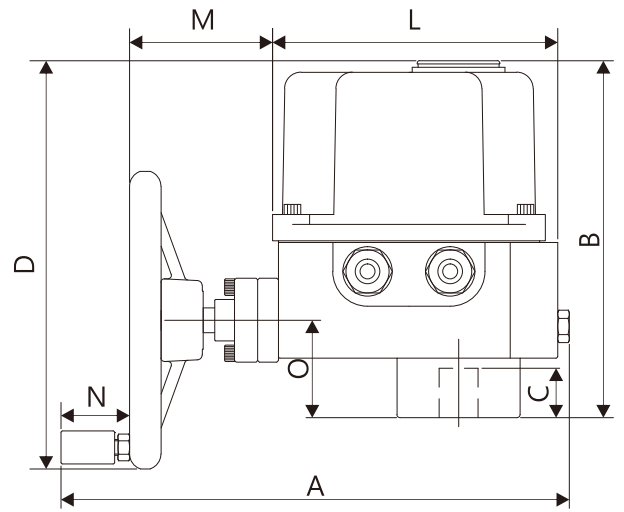


UM-3-1



Product Specification

UM-3-1 - 8 - AC110 - 25 - -

Model

Voltage

Extra Switches

Speed 90 sec(60Hz)

Power

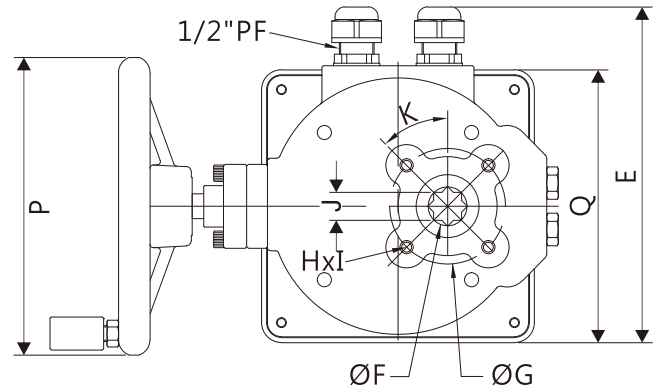
Heater

AC : : 8sec (Standard)
 : 1sec
 DC : : 8sec (Standard)
 : 1sec

AC : 25W (Standard)
 40W
 60W
 DC : 30W

: Without Extra Switches (standard)
 A : Extra Switches

: Without heater (standard)
 H : Heater



mm

L	M	N	O	P	Q	ISO 5211
173	85	65	59	120	165	F07

Model	A	B	C	D	E	F	G	H	I	J Max	K
UM-3-1	330	218	30	225	203	23.5	70	M8	4	17.05	45°

• For modulating series and DC voltage, B + 26mm.

inch

L	M	N	O	P	Q	ISO 5211
6.81	3.4	2.55	2.32	4.72	6.5	F07

Model	A	B	C	D	E	F	G	H	I	J Max	K
UM-3-1	13	8.58	1.18	8.86	7.99	0.93	2.76	M8	4	0.67	45°

• For modulating series and DC voltage, B + 1.12inch.